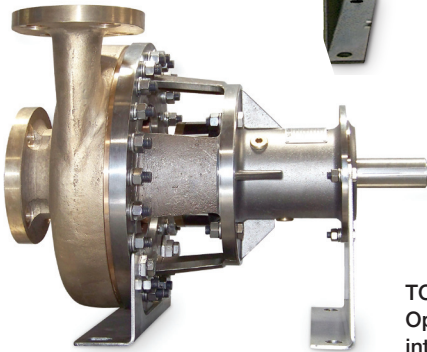
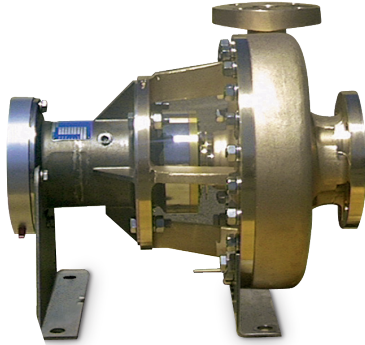


MODELS TC-21(HD) AND (J)

TRAILER PUMPS

TC-21 (HD)
Bronze intermediate



TC-21 (J)
Optional Stainless Steel
intermediate

SPECIFICATIONS

Flow Range	gpm	25 – 225
	lpm	95 – 852
NPSHR	feet	3 – 10
	meter	1 – 3.5
Differential Head	feet	100 – 1,200
	meter	31 – 366
Speed Range	rpm	1,500 – 5,500

Consult ACD engineering for actual performance ratings.

FEATURES & BENEFITS

- State-of-the-art CFS mechanical seal for extended life
- High performance impeller provides a high flow rate with minimum NPSH required
- Machined heavy duty stainless steel shaft provides vibration free performance
- All bronze construction allows for oxygen compatibility
- Optional stainless intermediate and backplate reduces cold migration and prevents premature bearing failure

APPLICATIONS

- Trailer off loading with hydraulic (HD) or jack shaft (J) drive

TYPICAL SCOPE OF SUPPLY

- Pump and bearing housing
- SAE-B flange to accept direct hydraulic motor mounting (HD only)
- Mounting brackets with locking tabs
- Port for speed verification
- Purge port (mechanical seal)

LIQUIDS PUMPED

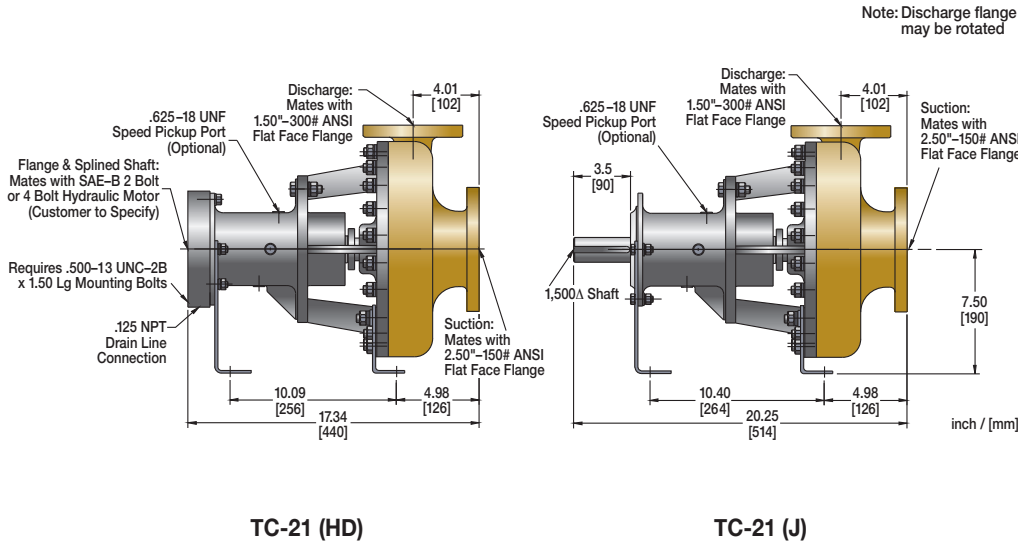
- Nitrogen
- Oxygen
- Argon
- Methane

OPTIONAL ACCESSORIES

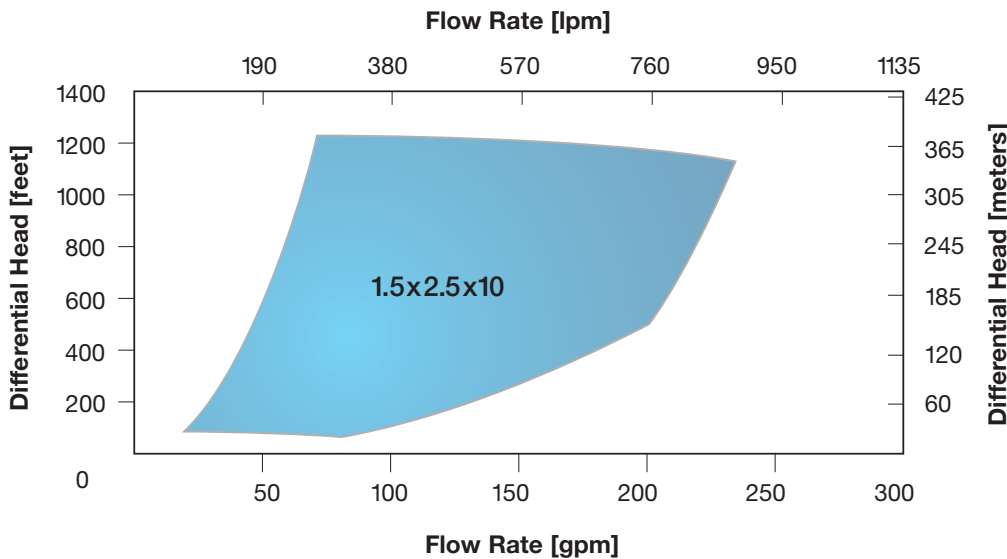
- Stainless steel intermediate and backplate
- Speed pick-up and tachometer

MODELS TC-21 (HD) AND (J)

OVERALL DIMENSIONS: TYPICAL



PUMP PERFORMANCE CURVE



Speed Range: 1500 to 5500 rpm

MANUFACTURING



2321 S. Pullman Street
 Santa Ana, CA 92705 USA
 Tel 800.525.4216 (USA only)
 Tel +1.949.261.7533 • Fax +1.949.261.6285
 acd@acdcom.com • www.acdcom.com

GLOBAL SERVICE

NORTH AMERICA

Atlanta
 Atlanta, Georgia, USA
 +1 404.696.8113 • Fax +1 404.696.8116
 sales@cryoatlanta.com • cryoindservice.com

California (ACD Service)
 Santa Ana, California, USA
 +1.714.568.0201 • Fax +1.714.641.1921
 service@acdcom.com • acdcom.com

Houston
 Houston, Texas, USA
 +1 281.590.4800 • Fax +1 281.590.4801
 sales@cihouston.com • cryoindservice.com

Pittsburgh
 Imperial, Pennsylvania, USA
 +1 724.695.1910 • Fax +1 724.695.1926
 pittcryo@pittcryogenic.com • cryoindservice.com

Red Deer
 Red Deer, Alberta, Canada
 +1.403.352.4436 • Fax +1.403.352.4439
 sales@cryocanada.com • cryoindservice.com

Toronto
 Toronto, Ontario, Canada
 +1 416.502.1950 • Fax +1 416.502.1952
 info@cryocanada.com • cryoindservice.com

INTERNATIONAL

Australia
 Dandenong, Victoria, Australia
 +61.3.9791.7888 • Fax +61.3.9769.2788
 sales.au@cryoquip.com • cryoquip.com

Brasil
 São Paulo - SP, Brasil
 Tel/Fax +55.11.2015.4288/4289
 acd@cibrazil.com • cryoindservice.com

China
 Hangzhou, China
 +86.571.8619.4799 • Fax +86.571.8619.4789
 hci@mail.hz.zj.cn • cryoindservice.com

Europe (ACD CRYO)
 CH-4142 Muenchenstein Switzerland
 +41.61.413.0230 • Fax: +41.61.413.0233
 sales@acdcrysto.com • acdcrysto.com

D-79415 Bad Bellingen Germany
 +49.7635.8105.0 • Fax: +49.7635.8965
 info@acdcrysto.com • acdcrysto.com

United Arab Emirates
 Jebel Ali Free Zone, Dubai, UAE
 Tel: +971.0.4.880.8889
 acd@acdcom.com • acdcom.com

India
 A Division of Rhine Engineering Pvt. Ltd.
 Vadodara, Gujarat, India
 +91.265.283.0113 • Fax +91.265.283.0112
 info@acdcom.com • acdcom.com
 Kolkatta, West Bengal, India
 +91.973.216.0010
 rrukherjee@acdindia.com • acdcom.com

Korea
 Yongin-si, Gyeonggi-do, Korea
 +82.31.286.6114 • Fax +82.31.286.6118
 info@ci-korea.co.kr • cryoindservice.com

Malaysia
 Shah Alam, Selangor D.Ehsan, Malaysia
 +60 (3) 5740.4800 • Fax +60 (3) 5740.4798
 cryogen@po.jaring.my • cryoindservice.com