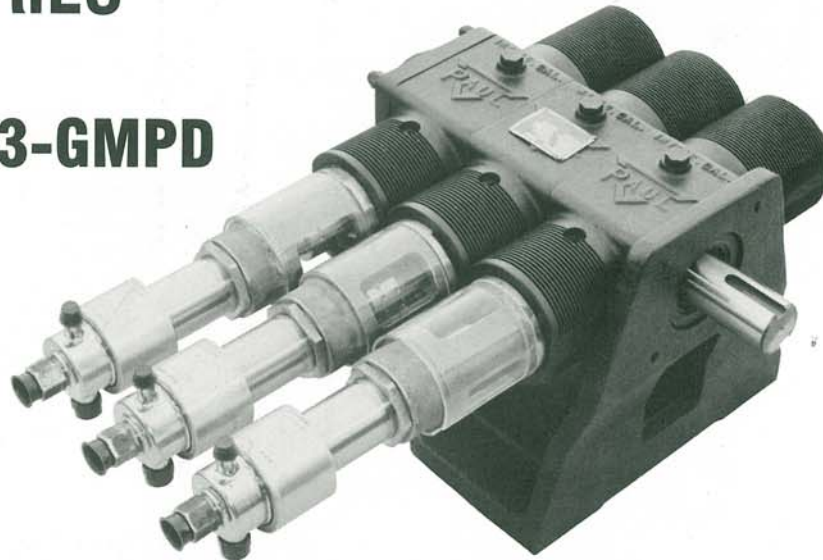


GMPD SERIES

3-GMPD



For field-proven reliability in pumps, rely on the industry standard. Rely on the GMPD Series from ACD, the ones you'll find in service wherever high-pressure cryogenic fluids are stored, transported, and handled.

These rugged, compact positive displacement pumps are available in 1, 2, or 3 cylinder configurations. Modular construction along with the oil-lubricated drive end make these pumps of choice for a variety of well-service applications.

Heavy duty, lightweight construction affords minimal cool-down losses and economical operation. Plus, these hardworking pumps can be belt-driven from electric drive motors or foot-mounted for use with hydraulic drives and are applicable for continuous or intermittent duty service.

Specifications

Liquids Pumped

- Oxygen
- Nitrogen
- Argon

Maximum Discharge Pressure

- 10,000 psig

Maximum Suction Pressure

- 300 psig

Maximum Speed

- 1100 RPM

Flow Ranges

- 3-23 GPM

Required NPSP

- 30 psig

Maximum Shaft Horse Power

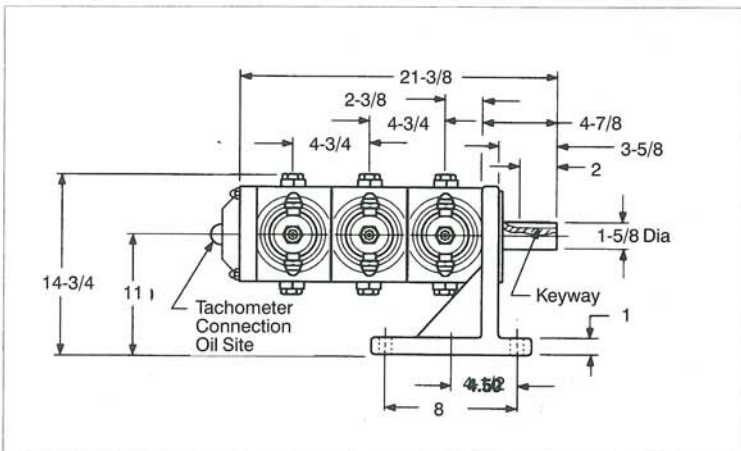
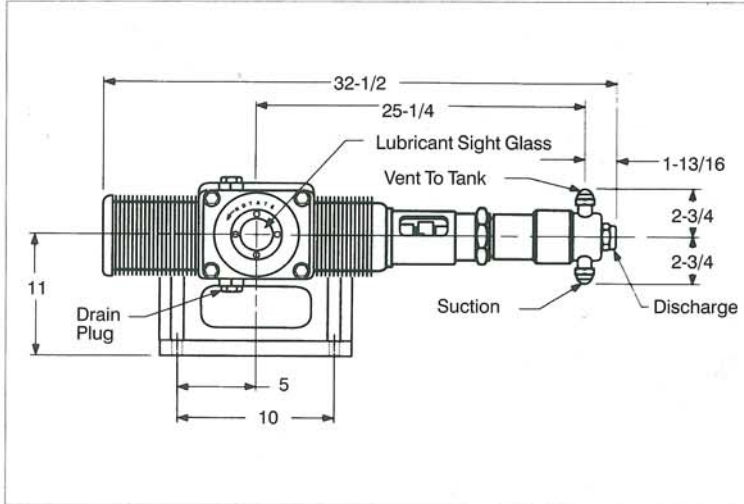
- 100 H.P.

WELL SERVICE RECIPROCATING PUMPS

WELL SERVICE RECIPROCATING PUMPS

GMPD SERIES

Pump Dimensions (inches)

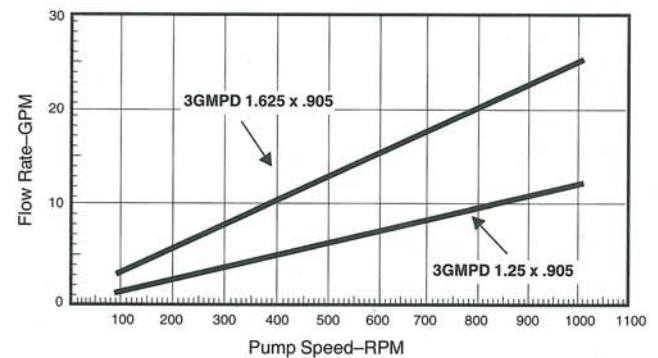
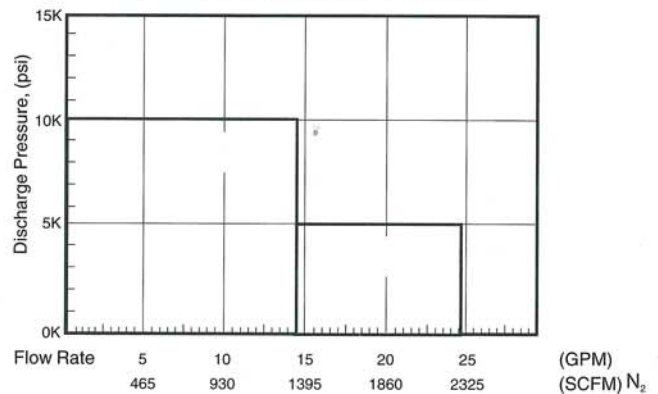


*Performance and installation data should be used for reference only. Contact ACD, Inc. if certified information is required.

Scope of Supply

- Non-vacuum jacketed cold-end
- Positive locking drive coupling
- Splash oil lubricated drive-end
- Modular constructed drive-end assembly

Pump Performance Chart



2321 S. Pullman St., Santa Ana, CA 92705 Phone: 714/261-7533 Fax: 714/261-6285 1-800-525-4216

ACD, Inc.
2321 S. Pullman St.
Santa Ana, CA 92705
Phone: 714/261-7533
800/525-4216 (Customer Service)
Fax: 714/261-6285

Service Centers
Pittsburgh Cryogenic Services, Inc.
767 State Route 30
Imperial, PA 15126
Phone: 412/695-1910
Fax: 412/695-1926

Cryocal
2110 S. Lyon St. Unit H
Santa Ana, CA 92705
Phone: 714/724-8636
Fax: 714/641-1921

CryoCanada Inc.
530 McNicoll Ave.
North York, Ontario
Canada M2H 2E1
Phone: 416/502-1950
Fax: 416/502-1952

ACD Representative:

Specifications subject to change without notice. ©ACD, Inc. Printed in U.S.A.

Bulletin No. ACD-R-108 Rev. A