



Model CP/AC & DCP/DAC

Applications

- ▶ Truck and trailer off-loading
- ▶ Liquid storage transfer
- ▶ Pipeline backup
- ▶ Laboratory research

Features & Benefits

- ▶ Hydraulic design provides higher efficiencies, even at higher speeds
- ▶ Rugged design allows for intermittent or continuous duty
- ▶ Strong intermediate construction allows for installation and operational imperfections
- ▶ All pumps supplied with inducers for low NPSH requirements

Gearbox Version (CP/AC)

- ▶ Compact design with heavy duty splash lubricated gearbox yields reliable operation and lower than average noise levels

Direct Coupled Version (DCP/DAC)

- ▶ High frequency inverter duty motors are available to provide a wide operating range and better speed control
- ▶ For CO₂ and N₂O applications, specially designed pressure balanced mechanical seals are used to reduce sensitivity due to pressure loss which increases pump life

Liquids Pumped

- ▶ O₂, N₂, Ar
- ▶ CO₂, N₂O

DCP/DAC 180



CP/AC 180



Specifications

Flow Rate

gpm	25 – 160
lpm	95 – 610

HP Rating

kw	5.5 – 37
hp	7.5 – 50

NPSHR

feet	5 – 9.8
meters	1.5 – 3

RPM Range

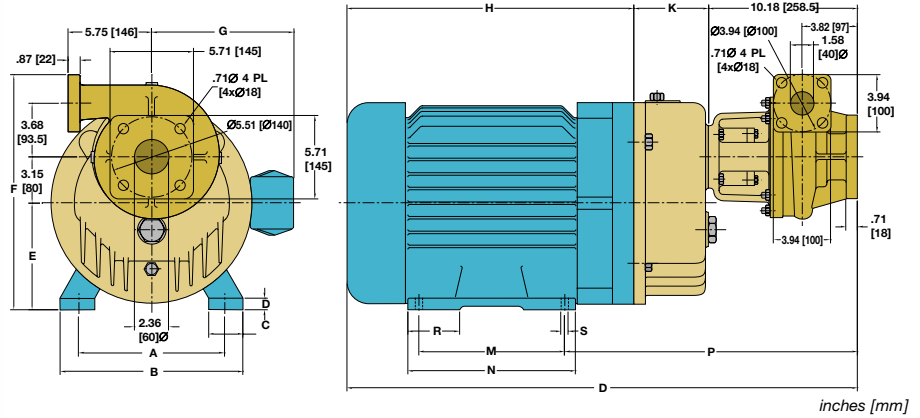
rpm	1,400 – 8,550
-----	---------------

Differential Head

feet	49 – 1,476
meters	15 – 450

Model CP/AC & DCP/DAC

Dimensions



inches [mm]

HP [kW]	TYPE	A	B	C	D	E	F	G	H	K	M	N	O	P	R	S	T	LBS [kg]
14.8/20 [11/15]	160M	10 [254]	12.5 [318]	2.6 [66]	.87 [22]	6.3 [160]	15.1 [383.5]	9.8 [248]	18.8 [478]	5.1 [130]	8.3 [210]	10.2 [260]	34.1 [866]	19.6 [497]	2.2 [56]	.51 [13]	13.7 [350]	330.7 [150]
24.8 [18.5]	160L	10 [254]	12.5 [318]	2.6 [66]	.98 [25]	6.3 [160]	15.1 [383.5]	9.8 [248]	20.6 [522]	5.1 [130]	10 [254]	11.9 [304]	35.8 [910]	19.6 [497]	2.2 [56]	.51 [13]	13.8 [350]	363.7 [165]
29.5 [22]	180M	11 [279]	13.6 [345]	2.8 [70]	1.10 [28]	7.1 [180]	15.9 [430.5]	11 [280]	21.1 [536]	5.1 [130]	9.5 [241]	11.8 [300]	36.4 [924]	20.1 [510]	3.1 [80]	.59 [15]	13.8 [350]	388 [176]

* Dimensions for 120 and 220 sizes are available upon request.

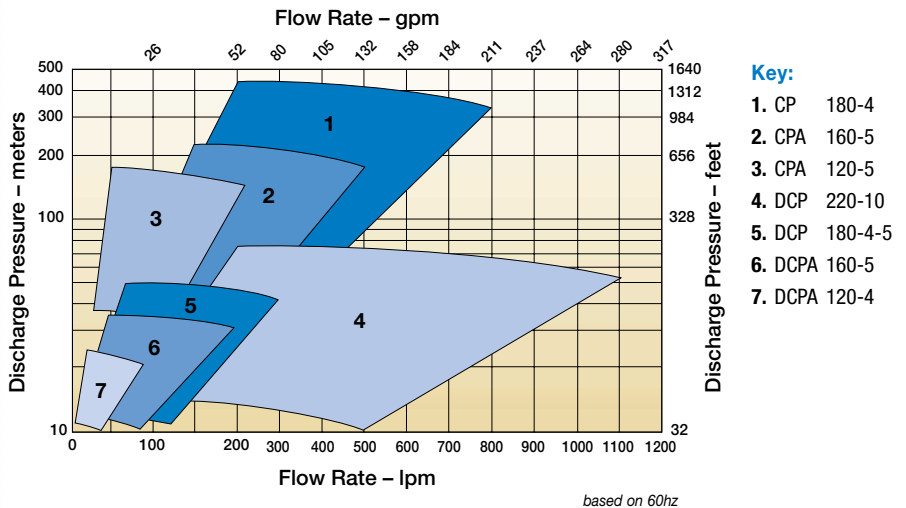
Scope of Supply

- ▶ Pump and electric motor
- ▶ Inducer
- ▶ ELF mechanical seal (most models), non-CO₂ and N₂O

Optional Accessories

- ▶ Labyrinth seal for continuous duty operation with seal gas purge panel
- ▶ Skid arrangement with accessories installed
- ▶ Automatic control system
- ▶ Recommended spare parts kits

Pump Performance Map



- Key:**
1. CP 180-4
 2. CPA 160-5
 3. CPA 120-5
 4. DCP 220-10
 5. DCP 180-4-5
 6. DCPA 160-5
 7. DCPA 120-4

based on 60hz

Worldwide Sales & Service Centers



2321 S. Pullman Street
Santa Ana, CA 92705 USA
Tel 800.525.4216 (USA only)
Tel +1.949.261.7533
Fax +1.949.261.6285
acd@acdcom.com
www.acdcom.com



Gutenbergstrasse 1
CH-4142 Muenchenstein
Switzerland
Tel +41.61.413.0230
Fax +41.61.413.0233
sales@acdcrysto.com
www.acdcrysto.com

Rheinauenstrasse 2
D-79415 Bad Bellingen
Germany
Tel +49.7635.8105.0
Fax +49.7635.8965
info@acdcrysto.com
www.acdcrysto.com

Cryogenic Industries-Headquarters
25720 Jefferson Avenue
Murrieta, CA 92562 USA
Tel +1 909.696.7840
Fax +1 909.698.7484
info@cryoind.com
www.cryoind.com

CryoAtlanta, Inc.
370 Great Southwest Parkway, Suite F
Atlanta, GA 30336 USA
Tel 888.217.9355 (USA only)
Tel +1 404.696.8113
Fax +1 404.696.8116
tffarmer@bellsouth.net
www.cryoatlanta.com

CryoCal, Inc.
2110 S. Lyon Street, Unit H
Santa Ana, CA 92705 USA
Tel +1 949.724.8636
Fax +1 714.641.1921
cryocal@mgi.com
www.cryocal.com

CryoCanada Incorp.
530 McNicoll Avenue
North York, Ontario M2H 2E1, Canada
Tel +1 416.502.1950
Fax +1 416.502.1952
cryocan@istar.ca
www.cryocanada.com

Cryogenic Industries - Houston
14014 Interdrive East
Houston, TX 77032 USA
Tel +1 281.590.4800
Fax +1 281.590.4801
sales@cihouston.com
www.cihouston.com

Cryogenic Industries-Malaysia
Lot 35, Jalan Selat Selatan 21
Sobena Jaya, Pandamaran
42000 Port Klang, Selangor, Malaysia
Tel +60 (3) 3165.4801
Fax +60 (3) 3165.4798
rmross1@attglobal.net

Cryogenic Industries-China
218 Tian Mu Shan Road
Hangzhou, 310007, China
Tel +86 571.888.59026
Fax +86 571.888.59025
hcci@mail.hz.jz.cn

Cryoquip - Australia
14 Zenith Road
Dandenong, Victoria 3175, Australia
Tel +61.3.9791.7888
Fax +61.3.9769.2788
rday@iwi.com.au
www.cryoquip.com

Pittsburgh Cryogenic Services, Inc.
767 State Route 30
Imperial, PA 15126 USA
Tel 800.327.6461 (USA only)
Tel +1 724.695.1910
Fax +1 724.695.1926
pittcryo@pittcryogenic.com
www.pittcryogenic.com